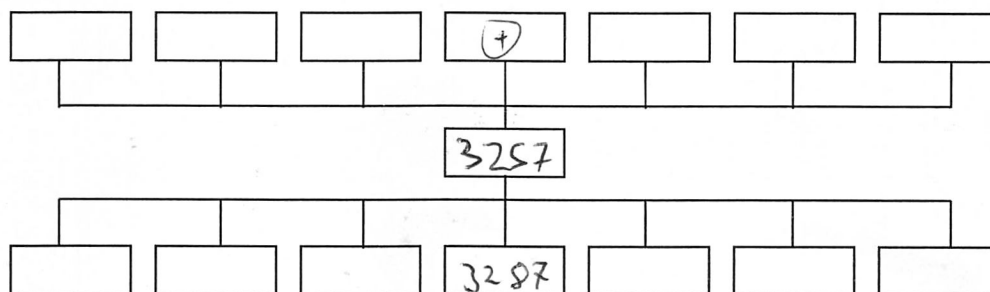


Site Code: MNO12	Location: AREA C	Grid Sq: 140/200 145/200	Context Type: DEPOSIT	Context Number: 3257
Deposit	1. CRIBBLE			Cut
1. Compaction	2. MID GREY BROWN			1. Shape in Plan
2. Colour	3. SILTY SAND			2. Corners
3. Composition	4. FREQUENT MORTAR & CBM.			3. Dimensions
4. Inclusions	OCCASIONAL GLASS, MODERATE			4. Break of slope - Top
5. Interface	POT.			5. Sides
6. Dimensions				6. Break of slope - Base
7. Other Comments				7. Base
8. Method/Conditions	Text			8. Orientation
5. DIFFUSE INTERFACE WITH CONTEXT BELOW				9. Inclination
6. 3.85M (E-W) x 0.85M (N-S) x 0.15M (THICK)				10. Truncation
7.				11. Other comments
8. MATROCK. SMOVEL.				
				Max Level: 10.59 m OD
				Min Level: 10.62 m OD



Interpretation:	Internal	External	Structural
DEMOLITION BACKFILL OF ROBBED W/ [3287] DEPOSIT			
CONTAINED LOTS OF BRICK & CBM, LIKELY TO			
HAVE BEEN THROWN DOWN ONCE BRICKS HAD			
BEEN ROBBED OUT.			
Context same as:			

Finds: None <input type="checkbox"/> Pot <input checked="" type="checkbox"/> Bone <input type="checkbox"/> Glass <input checked="" type="checkbox"/> Metal <input type="checkbox"/> CBM <input checked="" type="checkbox"/> Flint <input type="checkbox"/> Wood <input type="checkbox"/> Leather <input type="checkbox"/>	
Other (specify): CTP.	
Sample No(s):	Drawing No(s): (x)
Photo No(s):	Sketch/levels overleaf: <input checked="" type="checkbox"/> Transferred to plan: <input type="checkbox"/>

Compiled by: TOM	Date: 13/6/15	Checked by: a s / o / s	Tick when entered in database: <input type="checkbox"/>
------------------	---------------	-------------------------	---

Context Number:
3257

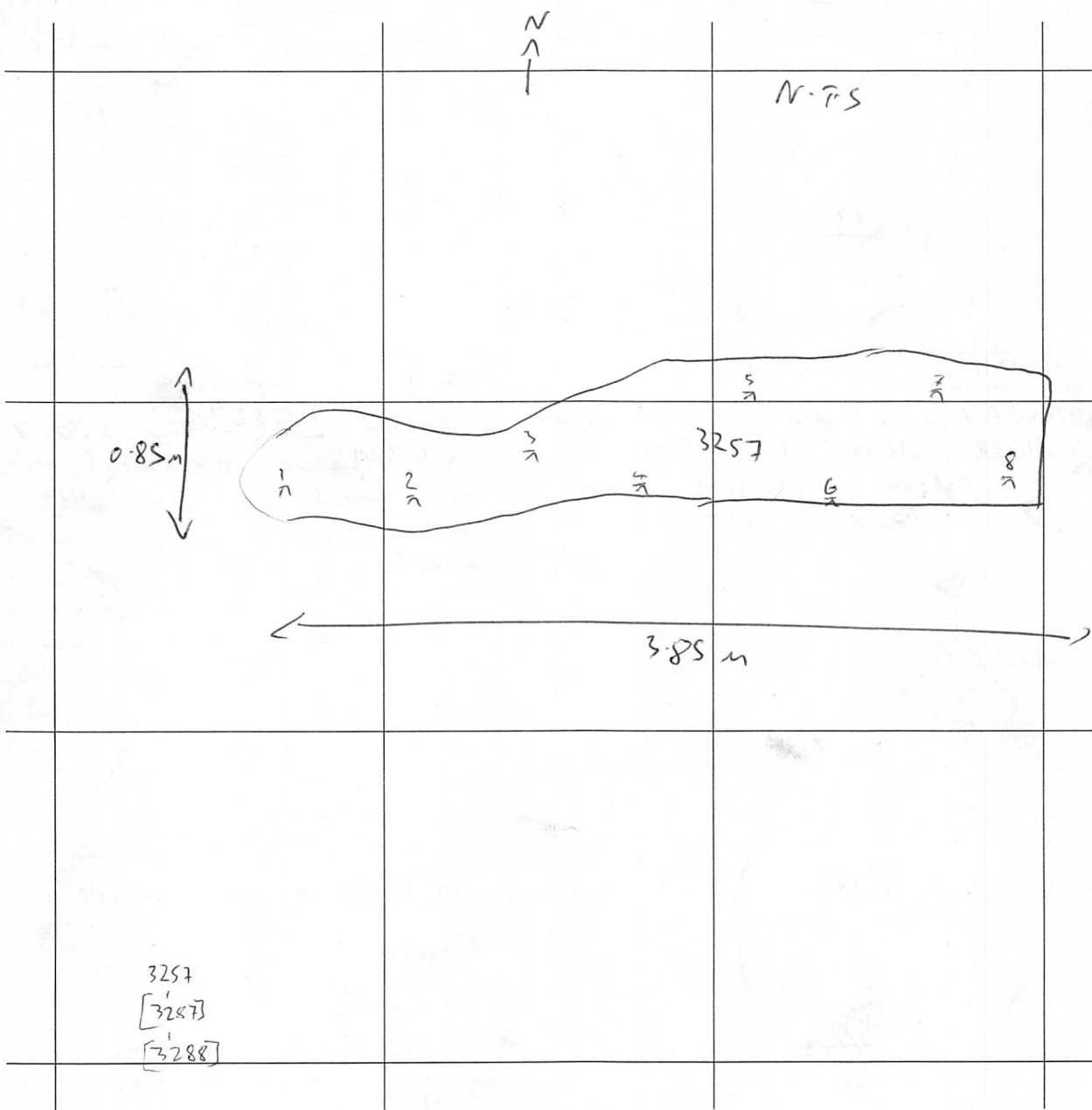
Level No.s
TBM 11.40
B/S -0.39
IH 11.01

Level No.s
TBM
B/S
IH

Level No.s
TBM
B/S
IH

Level No.s
TBM
B/S
IH

No.	F/S	R/L (m OD)	No.	F/S	R/L (m OD)	No.	F/S	R/L (m OD)	No.	F/S	R/L (m OD)
1	0.59	10.42	6	0.45	10.576						
2	0.55	10.844	7	0.43	10.58						
3	0.50	10.8451	8	0.42	10.59						
4	0.47	10.9054									
5	0.51	10.50									



Sketch Plan & Notes