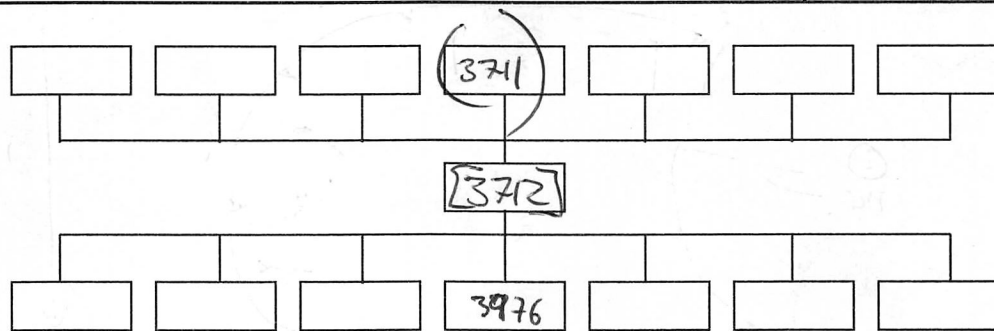


Site Code: MNO12	Location: AREA D	Grid Sq: 140 215	Context Type: cut.	Context Number: 3712
Deposit	① SUB-CIRCULAR ② SQ SQUARE ③ N-S 1.02m E-W 1.26m D 0.6m ④ SHARP ⑤ VERTICAL ⑥ STEEP ⑦ FLAT ⑧ N/A. Text			Cut
1. Compaction				1. Shape in Plan
2. Colour				2. Corners
3. Composition				3. Dimensions
4. Inclusions				4. Break of slope - Top
5. Interface				5. Sides
6. Dimensions				6. Break of slope - Base
7. Other Comments				7. Base
8. Method/Conditions				8. Orientation
⑨ VERTICAL				9. Inclination
⑩ TRUNCATED TO SOUTH BY [2405]. TO WEST BY PILE. TRUNCATES LAYER TO NORTH.				10. Truncation
⑪ NONE				11. Other comments
				Max Level: 10.49 m OD
				Min Level: 9.95 m OD



Interpretation:	Internal	<input checked="" type="checkbox"/> External	Structural
CUT FOR PIT.			
FILLED BY (3710) & (3711). BOTH FILLS HIGH IN DEMO/CONSTRUCTION WASTE.			
FUNCTION LIKELY WASTE PIT.			
TRUNCATED TO SOUTH BY CUT FOR SEWER [2405]			
CUT THROUGH LAYER			
Context same as:			

Finds: None <input type="checkbox"/> Pot <input type="checkbox"/> Bone <input type="checkbox"/> Glass <input type="checkbox"/> Metal <input type="checkbox"/> CBM <input type="checkbox"/> Flint <input type="checkbox"/> Wood <input type="checkbox"/> Leather <input type="checkbox"/>	
Other (specify):	
Sample No(s):	Drawing No(s): 3712 (x1)
Photo No(s):	Sketch/levels overleaf: <input checked="" type="checkbox"/> Transferred to plan: <input checked="" type="checkbox"/>

Compiled by: JS	Date: 10/06/15	Checked by: a 7/10/15	Tick when entered in database: <input type="checkbox"/>
--------------------	-------------------	--------------------------	---

Context Number:
3712

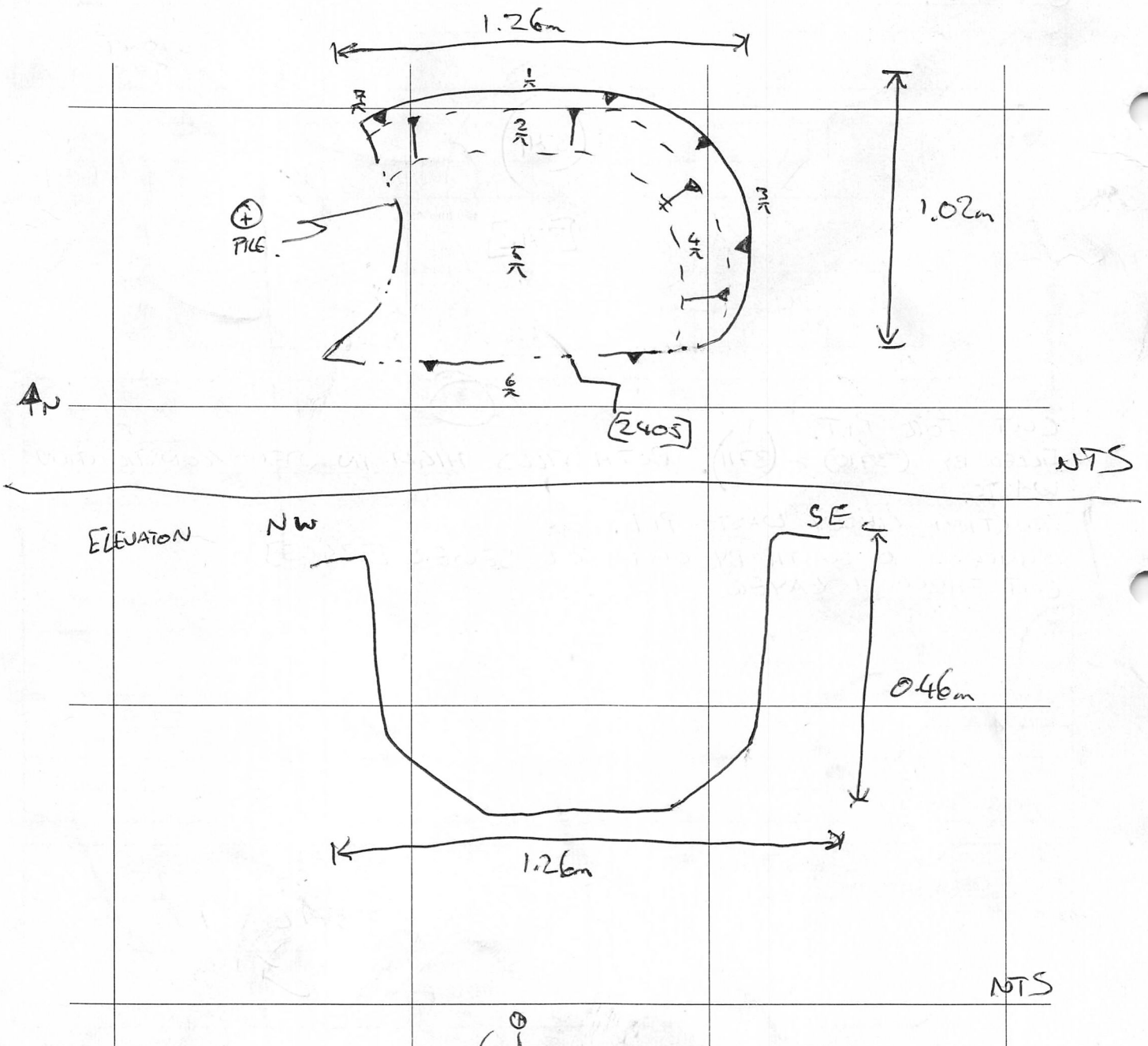
Level No.s
 TBM 11.40
 B/S 0.75
 IH 12.15

Level No.s
 TBM
 B/S
 IH

Level No.s
 TBM
 B/S
 IH

Level No.s
 TBM
 B/S
 IH

No.	F/S	R/L (m OD)	No.	F/S	R/L (m OD)	No.	F/S	R/L (m OD)	No.	F/S	R/L (m OD)
1	1.66	10.49	6	2.47	9.68						
2	2.01	10.14	7	1.66	10.49						
3	1.70	10.45									
4	2.05	10.10									
5	2.20	9.95									



Sketch Plan & Notes

(3710)
 (3711)
3712

L-P:ARCHAEOLOGY