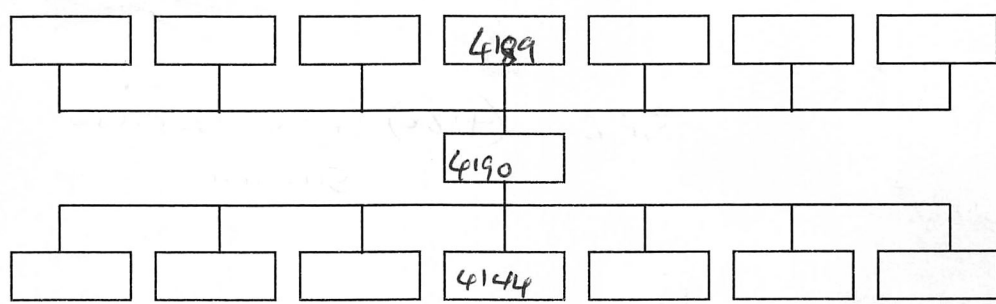


4189  
4189  
4124

Site Code: <b>MNO12</b>	Location: D	Grid Sq: 140/215	Context Type: NCP	Context Number: 4190
Deposit 1. Compaction 2. Colour 3. Composition 4. Inclusions 5. Interface 6. Dimensions 7. Other Comments 8. Method/Conditions	① LOOSE ISH	Cut 1. Shape in Plan 2. Corners 3. Dimensions 4. Break of slope - Top 5. Sides 6. Break of slope - Base 7. Base 8. Orientation 9. Inclination 10. Truncation 11. Other comments		
	② DARK GREY + BLACKISH BROWN			
	③ SILTY SAND + OYSTER (60%)			
	④ OCCASIONAL CEM FRAGS			
	⑤ GOOD . PRETTY SIMPLE			
	⑥ APPROX. 0.2m THICK . SPOTTED IN SECTION.			
	⑦		Max Level:	m OD
	⑧ MATCH		Min Level:	m OD



Interpretation:	Internal	External	Structural
Dump of PRIMARY OYSTERS AMONGST LAYERS WITHIN CUT [4124] . PROBABLY A LOCALISED DEPOSIT OF REFUSE FROM A DOMESTIC OR COMMERCIAL KITCHEN . THROWN INTO DITCH? OR LARGE REFUSE PIT.			
SEEN IN SECTION.			
Context same as:			

Finds: None <input checked="" type="checkbox"/> Pot <input type="checkbox"/> Bone <input type="checkbox"/> Glass <input type="checkbox"/> Metal <input type="checkbox"/> CBM <input type="checkbox"/> Flint <input type="checkbox"/> Wood <input type="checkbox"/> Leather <input type="checkbox"/>	
Other (specify):	
Sample No(s):	Drawing No(s): (x ) 5.82
Photo No(s):	Sketch/levels overleaf: <input type="checkbox"/> Transferred to plan: <input type="checkbox"/>

Compiled by: BSS	Date: 2/7/15	Checked by: 2/7/15	Tick when entered in database: <input type="checkbox"/>
---------------------	-----------------	-----------------------	---

Context Number:  
4190

Level No.s 1.2  
TBM 11.40  
B/S 0.75  
IH 12.15

Level No.s  
TBM  
B/S  
IH

Level No.s  
TBM  
B/S  
IH

Level No.s  
TBM  
B/S  
IH

No.	F/S	R/L (m OD)	No.	F/S	R/L (m OD)	No.	F/S	R/L (m OD)	No.	F/S	R/L (m OD)
1	2.88	9.27									
2	2.95	9.20									

