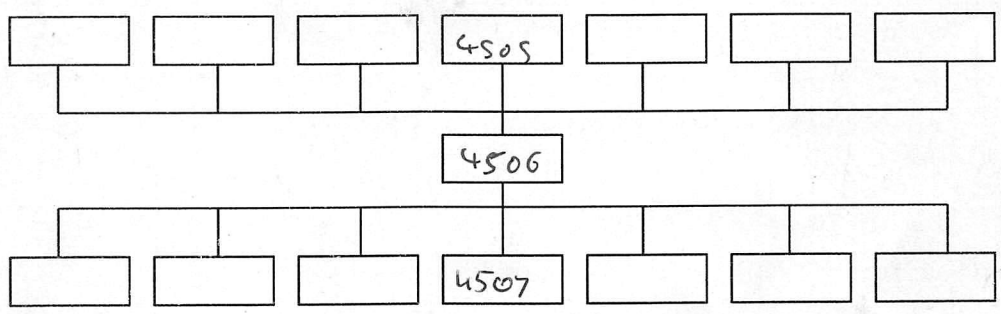


Site Code: MNO12	Grid Square: F	Context Type: Deposit	Context Number: 4506
Deposit	1. compact	Cut 1. Shape in Plan / 2. Corners 3. Dimensions 4. Break of slope – Top 5. Sides 6. Break of slope – Base 7. Base 8. Orientation 9. Inclination 10. Truncation 11. Other comments	
1. Compaction	2. no grain		
2. Colour	3 sandy clay silt		
3. Composition	4. FROG CHALK + METAL FLOCKS		
4. Inclusions	+ FRASS $\leq 20 \mu\text{m}$		
5. Dimensions	no ORANGE-RUN BRICK FRASS,		
6. Other Comments	no STONES 20-30mm		
7. Method/Conditions			
	5. 2.5 x 2.5 x 0.45m		

M. 20.88-00



Interpretation: LITTLING DUMP. MIXED DUMP WITH CHALK / METAL FLOCKS + BRICK FRASS.

---



---



---



---



---



---



---



---



---



---



---



---

Context same as:

Finds: None  Pot  Bone  Glass  Metal  CBM  Flint  Wood  Leather

Other (specify):

Sample No(s): — Drawing No(s): 5.95 (x3)

Photo No(s): Sketch/levels overleaf:   
Transferred to plan:

Compiled by: e Date: 2/2/16 Checked by: e 12/1/17 Tick when entered in database:

Context Number:

Level No.s                      Level No.s                      Level No.s                      Level No.s  
TBM                                  TBM                                  TBM                                  TBM  
B/S                                  B/S                                  B/S                                  B/S  
IH                                      IH                                      IH                                      IH

No.	F/S	R/L (m OD)	No.	F/S	R/L (m OD)	No.	F/S	R/L (m OD)	No.	F/S	R/L (m OD)
