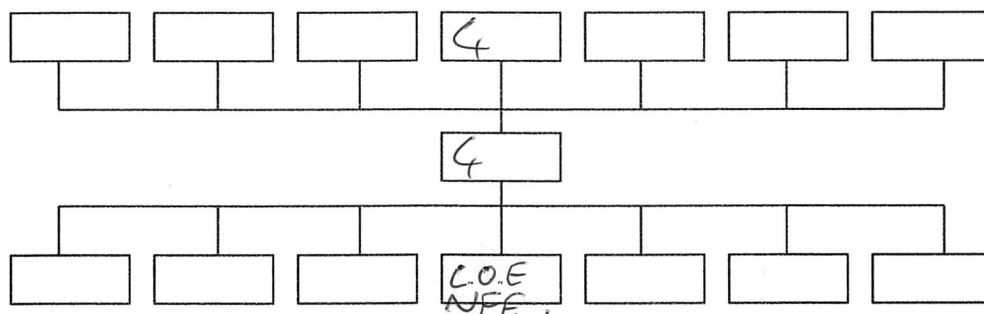


Site Code: MNO12	Grid Square: AREA. ^{SEWER} HEADINGS.	Context Type: LAYER.	Context Number: 4454
Deposit	① COMPACT / MODERATE.	Cut	
1. Compaction	② DARK BROWNISH BLACK.	1. Shape in Plan	
2. Colour	③ SANDY CLAYEY SILT ~ 30% : ~10% : ~60%	2. Corners	
3. Composition	④ FEQR' BROWN ORANGE RED UNFRAGGED BLACK	3. Dimensions	
4. Inclusions	≤ 80mm	4. Break of slope - Top	
5. Dimensions	PAN TILE FLAWS ≤ 50mm	5. Sides	
6. Other Comments	MOD. CHALK LUMPS ≤ 70mm	6. Break of slope - Base	
7. Method/Conditions	MORTAR PATCHES ≤ 40mm - CREAMY	7. Base	
	WHITE LIME MORTAR W/ FEQR CHALK LUMPS & MOD CHARCOAL FLECKS.	8. Orientation	
	OCC. CHARCOAL FLECKS ≤ 10mm	9. Inclination	
	TIMBER STAINING.	10. Truncation	
	⑤ NFE - DEPTH TO C.O.E. 0.46m - WIDTH = 0.95m TO C.O.E.	11. Other comments	
	⑥ NFE - SEWER HEADINGS.		
	⑦ HAND DUG BY MINERS. DRY. LOW LIGHT.		



Interpretation: EXTERNAL
COMPACT TO MODERATE DARK BROWNISH BLACK SANDY, CLAYEY SILT DUMP LAYER WITHIN SEWER HEADINGS.
MATERIAL SEEMS LIKE CONSTRUCTION WASTE DUMP DUE TO HIGH LEVELS OF DISCARDED CBM, CHALK & MORTAR.
INTERPRETATION UNCERTAIN DUE TO HORIZONTAL EXCAVATION OF STRAT. FOR HEADINGS.
See (4452) FOR SECTION SKETCH.
NFE. NO PHOTOS DUE TO POOR LIGHT.
Context same as:

Finds: None <input checked="" type="checkbox"/> Pot <input type="checkbox"/> Bone <input type="checkbox"/> Glass <input type="checkbox"/> Metal <input type="checkbox"/> CBM <input type="checkbox"/> Flint <input type="checkbox"/> Wood <input type="checkbox"/> Leather <input type="checkbox"/>	
Other (specify):	
Sample No(s):	Drawing No(s): S94 (x 1) (4452) ^{SEE}
Photo No(s):	Sketch/levels overleaf: <input checked="" type="checkbox"/> Transferred to plan: <input type="checkbox"/>

Compiled by: TS	Date: 10/02/16	Checked by:	Tick when entered in database: <input type="checkbox"/>
--------------------	-------------------	-------------	---

Context Number:
4454

Level No.s
TBM
B/S
IH

Level No.s
TBM
B/S
IH

Level No.s
TBM
B/S
IH

Level No.s
TBM
B/S
IH

No.	F/S	R/L (m OD)	No.	F/S	R/L (m OD)	No.	F/S	R/L (m OD)	No.	F/S	R/L (m OD)

