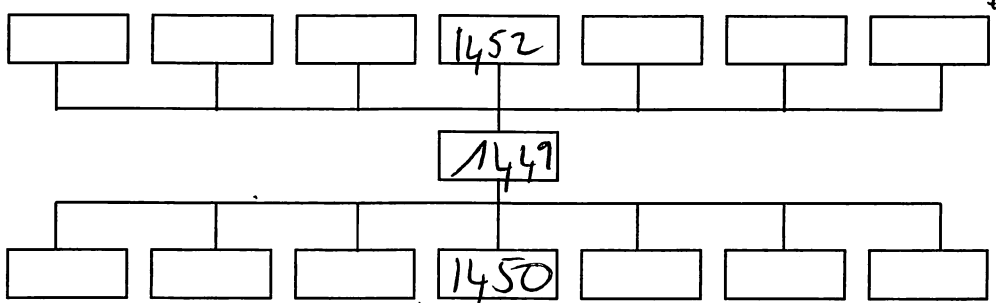


Site Code: MNO12	Location: AREA	Grid Sq: Slot 1	Context Type: Fill	Context Number: 1449
Deposit 1. Compaction 2. Colour 3. Composition 4. Inclusions 5. Interface 6. Dimensions 7. Other Comments 8. Method/Conditions	1. Soft to compact			Cut
	2. mid greyish yellowish brown			1. Shape in Plan
	3. silty sand with gravel			2. Corners
	4. frequent rounded stones			3. Dimensions
	including flint (10mm to 50mm long)			4. Break of slope - Top
	5. well topped with natural			5. Sides
	6. exposed width 3.36m in			6. Break of slope - Base
	Text section 4.1 x 1.0m			7. Base
	7. truncated to the East by [1452]			8. Orientation
	8. Machine, wet and dry conditions			9. Inclination
				10. Truncation
			11. Other comments	
				Max Level: 8.82 m OD (541)
				Min Level: 8.74 m OD



Interpretation:	Internal	<input checked="" type="checkbox"/> External	Structural
Fill of [1450] made of "dirty" gravel on which all the latest archaeological features are dug into.			
Context same as:			

Finds: None <input checked="" type="checkbox"/> Pot <input type="checkbox"/> Bone <input type="checkbox"/> Glass <input type="checkbox"/> Metal <input type="checkbox"/> CBM <input type="checkbox"/> Flint <input type="checkbox"/> Wood <input type="checkbox"/> Leather <input type="checkbox"/>	
Other (specify):	
Sample No(s):	Drawing No(s): S.41 (x1)
Photo No(s): 2295 -> 2304	Sketch/levels overleaf: <input type="checkbox"/>
	Transferred to plan: <input type="checkbox"/>

Compiled by: AC/CH	Date: 12.01.2015	Checked by: a 3/2/15	Tick when entered in database: <input type="checkbox"/>
-----------------------	---------------------	-------------------------	---

Context Number:
1449

Level No.s
TBM 9.20
B/S 1.03
IH 10.28

Level No.s
TBM
B/S
IH

Level No.s
TBM
B/S
IH

Level No.s
TBM
B/S
IH

No.	F/S	R/L (m OD)	No.	F/S	R/L (m OD)	No.	F/S	R/L (m OD)	No.	F/S	R/L (m OD)
7	1.90	8.38									

