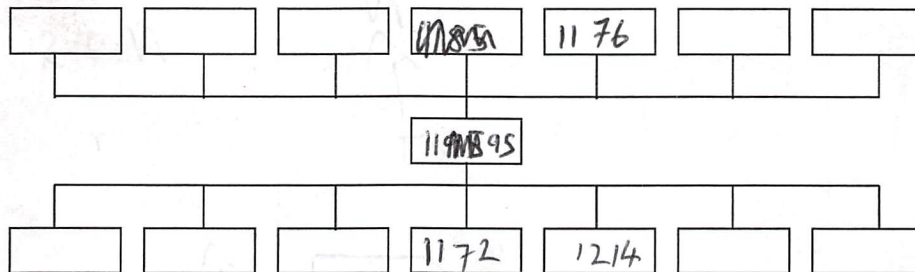


Site Code: <b>MNO12</b>	Gr. Sq. / TP / Tr: <b>145/255</b>	Context Type: <b>DEPOSIT</b>	Context Number: <b>(1195)</b>
Deposit	1. SOFT	Cut 1. Shape in Plan 2. Corners 3. Dimensions 4. Break of slope - Top 5. Sides 6. Break of slope - Base 7. Base 8. Orientation 9. Inclination 10. Truncation 11. Other comments	
1. Compaction	2. DARK BLACKISH GREY.		
2. Colour	3. SANDY SILT.		
3. Composition	4. 10% POTTERY. 10% OYSTER SHELL.		
4. Inclusions	10% CBM + MORTAR. 45% COAL.		
5. Dimensions	5. W: 1.85 X L: 1.80M X T: 0.08M		
6. Other Comments	6		
7. Method/Conditions	7. MATTOCK, TROWEL, SHOVEL.		
			Max Level: 10.43
			Min Level: 10.39



Interpretation: FLOOR MAKE UP DEPOSIT. STRATIFIED BENEATH MORTAR BEDDING (1176). DEPOSIT OVERLIES EARLIER FLOOR [1172] AND CONTAINED LARGE AMMOUNTS OF DOMESTICK WASTE SUCH AS POTTERY, ANIMAL BONE, CBM, GLASS, CHARCOAL AND SOME CLAY PIPES. DEPOSIT LIKELY REDEPOSITION OF WASTE IN PREPARATION FOR RE-SURFACING AND FLOORING OF ROOM. DEPOSIT CAN BE DATED TO MID 19C DUE TO CLAY PIPE TYPOLOGY. TRUNCATED BY MODERN DRAIN SEPERATING IT FROM (1196)

Context same as: (1196)

Finds: None  Pot  Bone  Glass  Metal  CBM  Flint  Wood  Leather

Other (specify): CLAY PIPE

Sample No(s): **31** Drawing No(s): 1195 (x1)

Photo No(s): Sketch/levels overleaf:   
Transferred to plan:

Compiled by: **T.M** Date: **27/11/14** Checked by: **ca 10/12/14.** Tick when entered in database:

Context Number:  
1195

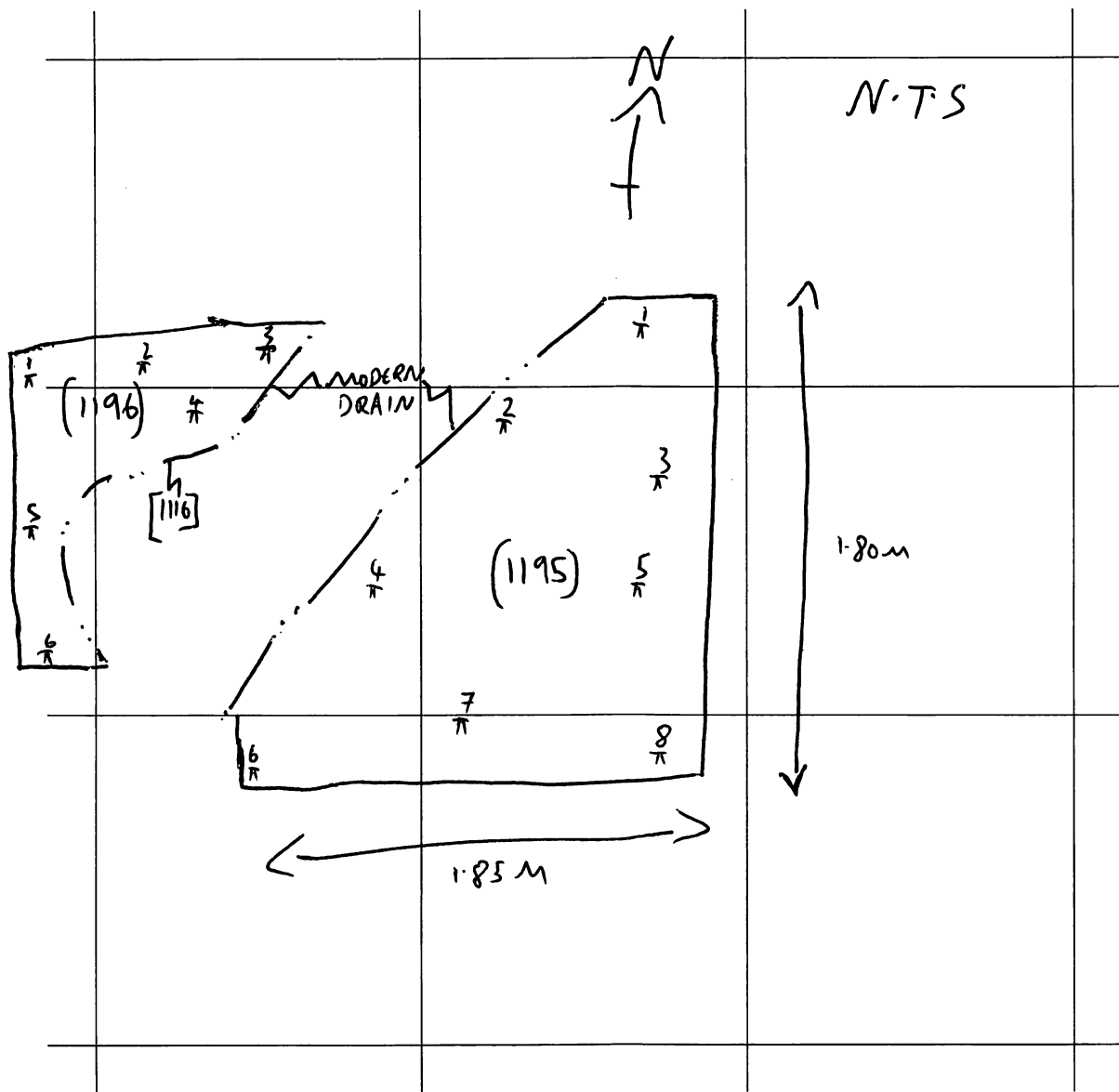
Level No.s  
TBM 10.29  
B/S 1.82  
IH 12.11

Level No.s  
TBM  
B/S  
IH

Level No.s  
TBM  
B/S  
IH

Level No.s  
TBM  
B/S  
IH  
(1196) SEE C1196

(1195)						(1196)			SEE C1196		
No.	F/S	R/L (m OD)	No.	F/S	R/L (m OD)	No.	F/S	R/L (m OD)	No.	F/S	R/L (m OD)
1	1.70	10.41	6	1.70	10.41	1	1.74	10.37	6	1.74	10.37
2	1.72	10.39	7	1.68	10.43	2	1.75	10.36			
3	1.69	10.42	8	1.70	10.41	3	1.74	10.37			
4	1.71	10.40				4	1.73	10.38			
5	1.68	10.43				5	1.75	10.36			



Sketch Plan & Notes

L-P: ARCHÆOLOGY