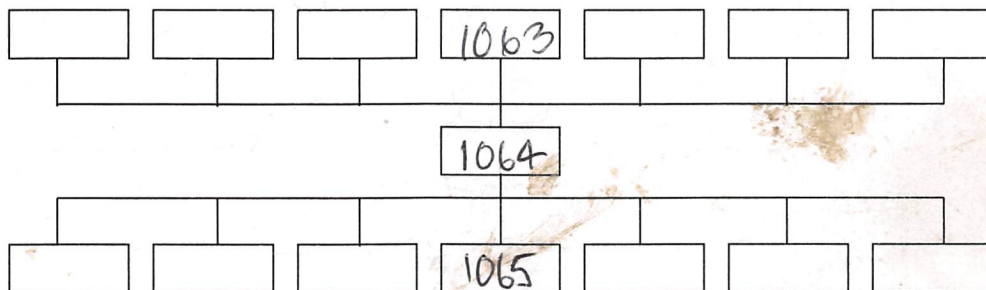


Site Code: MNO12	Location: AREA A	Grid Sq: 145/260	Context Type: FILL	Context Number: 1064
Deposit	1. LOOSE / SOFT 2. LIGHT GREY 3. SANDY MORTAR 4. OC 5M CBM FRAGS OCC SHELL FRAGS, OCC CHARCOAL FLECKS + FRAGS 5. ALTHOUGH THE MORTAR WAS VERY SOFT THERE IS SOME CEMENTATION OF INTERFACE BETWEEN CONTEXTS 6. 700mm N/S x 700mm E/W x 240mm DEPTH 7.			Cut
1. Compaction				1. Shape in Plan
2. Colour				2. Corners
3. Composition				3. Dimensions
4. Inclusions				4. Break of slope - Top
5. Interface				5. Sides
6. Dimensions				6. Break of slope - Base
7. Other Comments				7. Base
8. Method/Conditions				8. Orientation
				9. Inclination
				10. Truncation
				11. Other comments
				Max Level: 10.43 m OD
				Min Level: 10.19 m OD

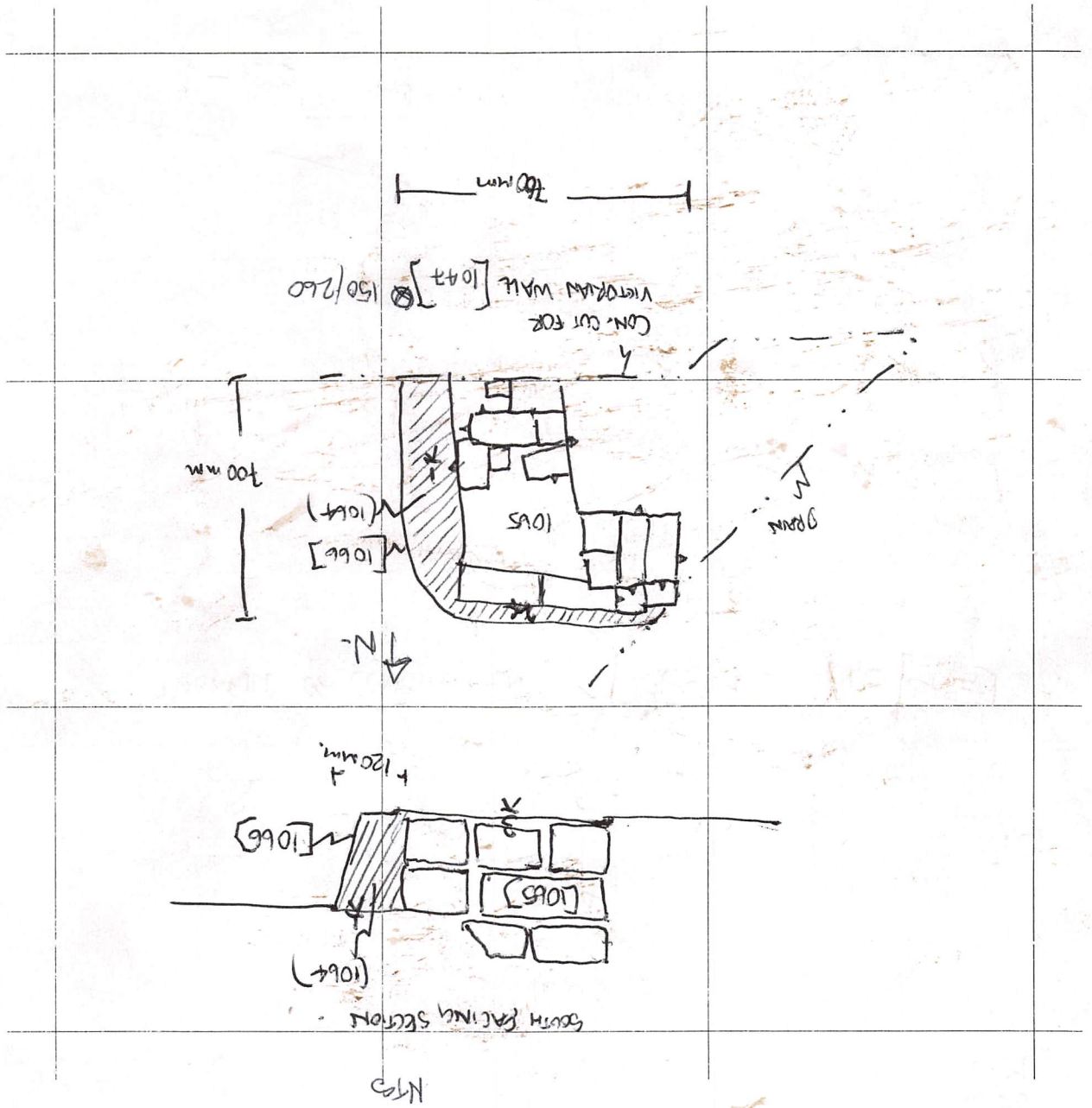


Interpretation:	Internal	<u>External</u>	Structural
BACKFILL OF CONSTRUCTION CUT [1066] FOR WALL [1065]			
Context same as:			

Finds: None <input type="checkbox"/> Pot <input type="checkbox"/> Bone <input type="checkbox"/> Glass <input type="checkbox"/> Metal <input type="checkbox"/> CBM <input type="checkbox"/> Flint <input type="checkbox"/> Wood <input type="checkbox"/> Leather <input type="checkbox"/> Other (specify):	
Sample No(s):	Drawing No(s): (x)
Photo No(s): 1205 - 1207 1215 - 1217	Sketch/levels overleaf: <input type="checkbox"/> Transferred to plan: <input type="checkbox"/>

Compiled by: 	Date: 17/11/14	Checked by: G. 14/11/15	Tick when entered in database: <input type="checkbox"/>
------------------	--------------------------	-----------------------------------	---

L-P: ARCHAEOLOGY



No.	F/S	R/L (m OD)	No.	F/S	R/L (m OD)	No.	F/S	R/L (m OD)	No.	F/S	R/L (m OD)
1		10.43									
2		10.41									
3		10.25									
4		10.26									
5		10.19									

Level No.s 1-2
 TBM 10.29
 B/S 1.53
 IH 11.82

Level No.s 3-6
 TBM 10.29
 B/S 1.54
 IH 11.83

Level No.s
 TBM
 B/S
 IH

Context Number: 1064