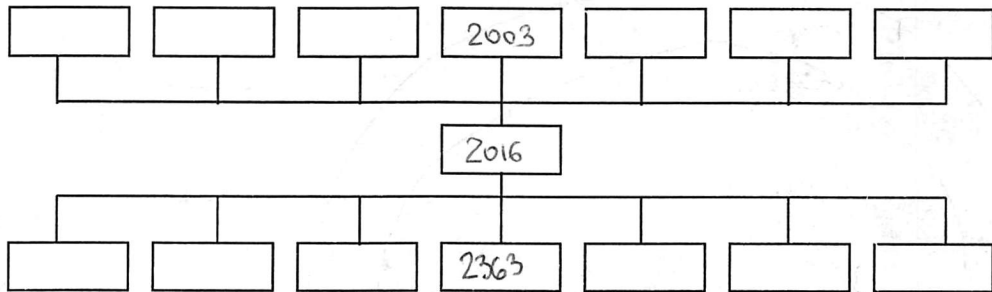


Site Code: <b>MNO12</b>	Location: AREA B	Grid Sq: 115/200 -205 120/205	Context Type: FILL	Context Number: 2016
Deposit				Cut
1. Compaction	1. loose			1. Shape in Plan
2. Colour	2. mid yellowish brown			2. Corners
3. Composition	3. silty sand			3. Dimensions
4. Inclusions	4. occa. stone (2-6mm), frag. stone (6-20mm)			4. Break of slope - Top
5. Interface	5. <del>frag</del> occa. CBM fragments (20-120mm)			5. Sides
6. Dimensions	6. frag. pot, frag. Glass, frag. A. bone,			6. Break of slope - Base
7. Other Comments	7. <del>frag</del> frag. worked bone, occa			7. Base
8. Method/Conditions	Text	8. Cu alloy.		8. Orientation
				9. Inclination
				10. Truncation
				11. Other comments
		5. clear		
		6. 1.55m in $\varnothing$ ; 0.33m in depth		
		7. -		
		8. trowel / wet		
				Max Level: 11.03 m OD
				Min Level: 10.70 m OD



Interpretation:	Internal	<b>External</b>	Structural
Cesspool [2010] fill.			
Fill of cesspool, contains frag. CBM, pot, glass, a. bone, worked bone, occa. Cu alloy.			
Context same as:			

Finds: None <input type="checkbox"/> Pot <input checked="" type="checkbox"/> Bone <input checked="" type="checkbox"/> Glass <input checked="" type="checkbox"/> Metal <input checked="" type="checkbox"/> CBM <input checked="" type="checkbox"/> Flint <input type="checkbox"/> Wood <input type="checkbox"/> Leather <input type="checkbox"/>	
Other (specify):	
Sample No(s): 74 (200)	Drawing No(s): / (x )
Photo No(s): /	Sketch/levels overleaf: <input checked="" type="checkbox"/> Transferred to plan: <input checked="" type="checkbox"/>

Compiled by: MK	Date: 28-01-2015	Checked by: a 23/1/15.	Tick when entered in database: <input type="checkbox"/>
--------------------	---------------------	---------------------------	---

Context Number:  
2016

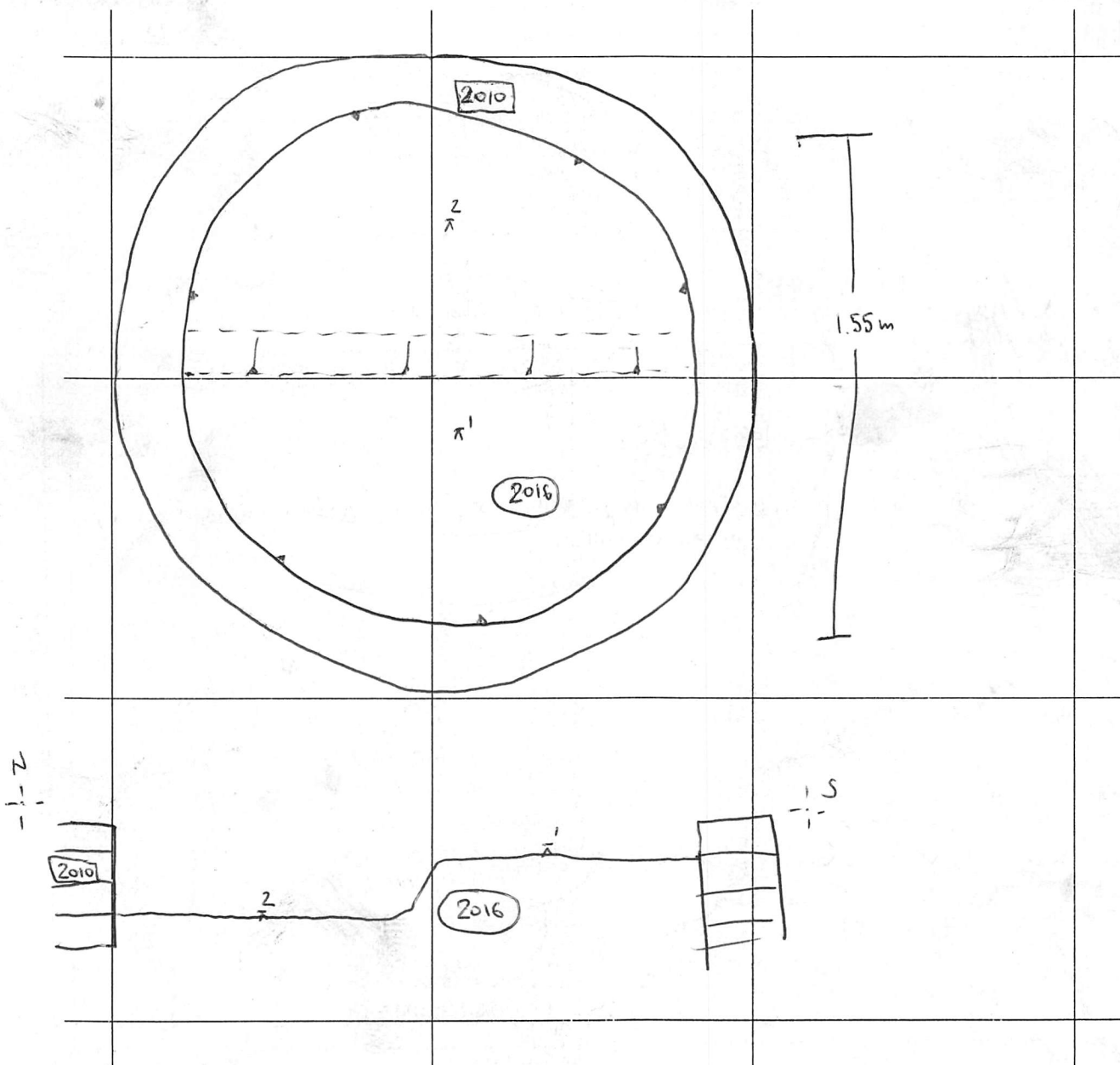
Level No.s 1-12  
TBM 11.80  
B/S 0.12  
IH 11.92

Level No.s 2  
TBM 11.80  
B/S -0.18  
IH 11.62

Level No.s  
TBM  
B/S  
IH

Level No.s  
TBM  
B/S  
IH

No.	F/S	R/L (m OD)	No.	F/S	R/L (m OD)	No.	F/S	R/L (m OD)	No.	F/S	R/L (m OD)
1	Uncovered	11.03	2	0.92	10.70						
<del>2</del>	<del>8.98</del>	<del>10.99</del>									
<del>3</del>											



Sketch Plan & Notes