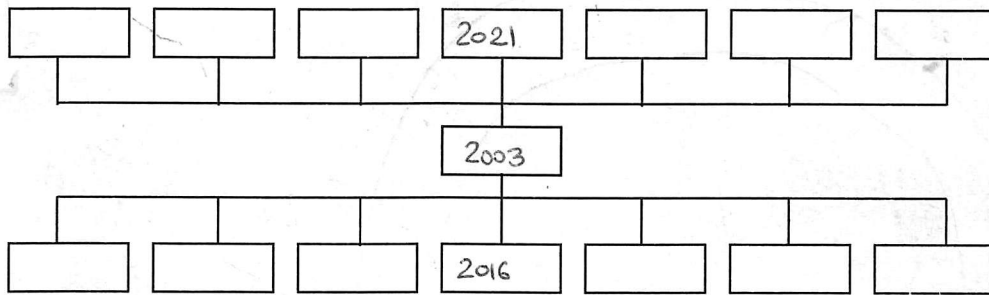


Site Code: MNO12	Location: AREA B	Grid Sq: 115/200N205 120/205	Context Type: # CUT	Context Number: [2003]
Deposit:				Cut
1. Compaction	1. semi circular			1. Shape in Plan
2. Colour	2. N/A			2. Corners
3. Composition	3. 1.55m (E-W); 1.10m (N-S); 0.18m (Depth)			3. Dimensions
4. Inclusions	4. sharp			4. Break of slope – Top
5. Interface	5. sloping			5. Sides
6. Dimensions	6. gradual			6. Break of slope – Base
7. Other Comments	7. flat			7. Base
8. Method/Conditions	Text 8. N/A			8. Orientation
	9. /			9. Inclination
	10. /			10. Truncation
	11. /			11. Other comments
				Max Level: 11.03 m OD
				Min Level: 10.85 m OD



Interpretation:	Internal	External	Structural
Cut of for later additions to the cesspool. Cut into (2016)			
Context same as:			

Finds: None <input type="checkbox"/> Pot <input type="checkbox"/> Bone <input type="checkbox"/> Glass <input type="checkbox"/> Metal <input type="checkbox"/> CBM <input type="checkbox"/> Flint <input type="checkbox"/> Wood <input type="checkbox"/> Leather <input type="checkbox"/>			
Other (specify):			
Sample No(s):	/	Drawing No(s):	2003 (x)
Photo No(s):	/	Sketch/levels overleaf:	<input checked="" type="checkbox"/>
		Transferred to plan:	<input type="checkbox"/>

Compiled by: MK	Date: 28-01- 28 2015	Checked by: ~ 23/5/15	Tick when entered in database: <input type="checkbox"/>
--------------------	------------------------------------	--------------------------	---

Context Number:

2003

Level No.s 1-5

Level No.s

Level No.s

Level No.s

TBM 11.80

TBM

TBM

TBM

B/S 0.12

B/S

B/S

B/S

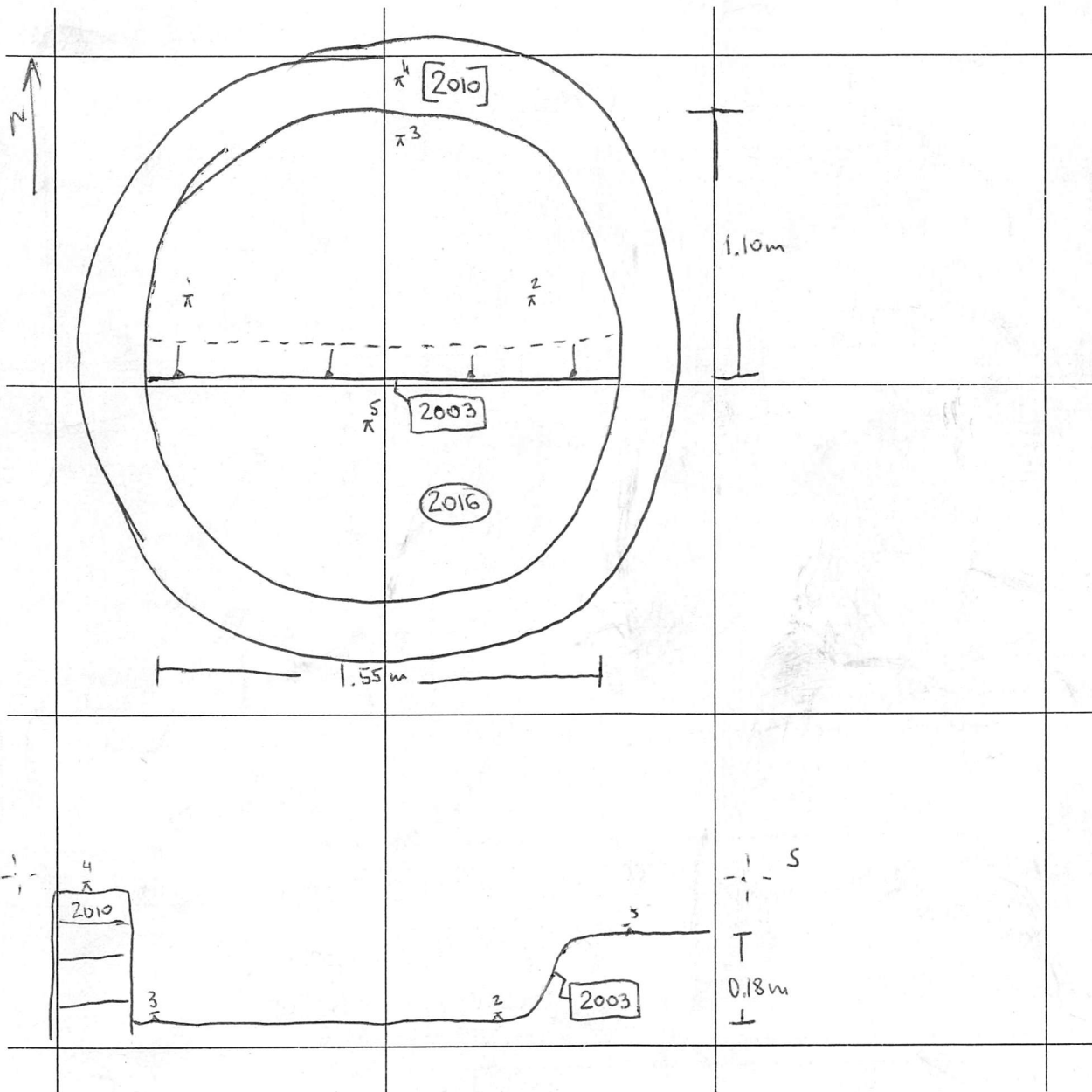
IH 11.92 m OD

IH

IH

IH

No.	F/S	R/L (m OD)	No.	F/S	R/L (m OD)	No.	F/S	R/L (m OD)	No.	F/S	R/L (m OD)
1	1.01	10.91									
2	1.07	10.85									
3	1.03	10.89									
4	0.81	11.11									
5	0.89	11.03									



Sketch Plan & Notes

L-P:ARCHAEOLOGY